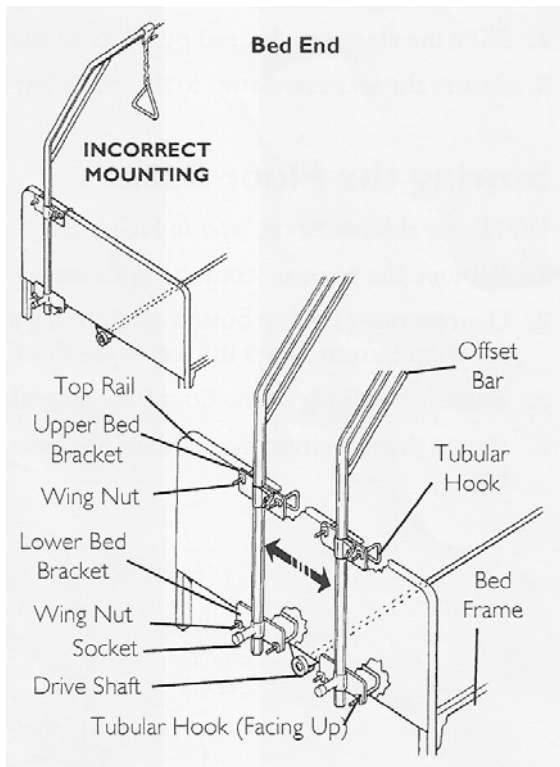


## Overhead Bar Instruction



1. Position the lower bed bracket in the center of the bottom bed frame with the tubular hook facing up.
2. Tighten wing nuts to secure lower bed bracket onto the bottom of the headboard. *NOTE: Position the lower bed bracket as close to the center of the bottom of the headboard as possible. Centered will not be possible because of the headboard gearbox but get it as close as possible.*
3. Loosen the wing nuts on the upper bed bracket and slide the bracket up over the top of the headboard. Making sure that it is in line with the bottom bracket.
4. If both brackets are in place and in line, tighten the wing nuts of both brackets snugly.
5. To raise or lower the overhead bar to the desired height loosen the large wing nut on the top bracket and raise or lower the overhead bar to the correct position and retighten the wing nut.



1. The triangular handle for grabbing is adjustable. To slide it forward loosen the big wing nut attached to the triangular grab bar, slide it to the desired position and tighten the wing nut back up.
2. The triangular grab bar is hung by a chain which can be shortened to fine tune its hanging distance by hooking loops of chain on the 'S' hook attached to the top of the grab bar.

## Inspection

1. Make sure wing nuts are secured tightly to avoid rail slippage / movement that may result in patient injuries. Rattle the mounting to check for any give.
2. Ensure the bar is as close to the center of the headboard as possible.
3. Check that wall bumper and mounting pads for wear or damage. This can cause wall and bed-end damage from regular movement.
4. Ensure that the bottom of the bar is not in contact with the floor when the bed is in its lowest position as this can cause damage to the bed and bar, as well as possible injury to the client.
5. Verify that the large height wing nut and triangle position wing nut are tightened to reduce the risk of the equipment-slipping while in use.
6. Ensure the bar is positioned at the proper height for comfortable patient reach.

*If items or parts need to be replaced or repaired, please contact MDA for assistance.*